

产品说明 Product Description

180 是一种高性能喷射成型工艺用合股无捻粗纱，涂覆硅烷基浸润剂，适用于增强不饱和聚酯树脂、乙烯基树脂和聚氨酯树脂。

180 是通用型喷射纱，适用于生产游艇、卫生洁具、游泳池和汽车部件等，也可用于离心浇注工艺生产管道。

180 Assembled Roving for Spray-up is coated with a silane-based sizing, compatible with unsaturated polyester, vinyl ester and polyurethane resins.

180 is a versatile general purpose spray-up roving used to manufacture boats, yachts, sanitary wares, swimming pools, automotive parts, and centrifugal casting pipes.



产品特点 Product Features

- ◎ 优异的短切性和分散性
- ◎ 良好的抗静电性
- ◎ 优异的贴模性，小角度无回弹
- ◎ 优异的浸透性，易于辊压排气泡
- ◎ 优良的制品强度

- Excellent choppability and dispersion
- Good anti-static property
- Excellent contact to mold surfaces and no rebound in small angle
- Fast and complete wet-out ensures easy roll-out and rapid air release.
- Excellent mechanical properties of composite parts

规格代号 Specification

玻璃类型 Glass type	E		
浸润剂类型 Sizing type	硅烷 Silane		
典型纤维直径 Typical filament diameter (μm)	11	13	
典型线密度 Typical linear density (tex)	2400	3000	4800
示例 Example	ER13-2400-180		

技术指标 Technical Parameters

项目 Item	线密度偏差 Linear density variation	含水率 Moisture content	可燃物含量 Sizing content	硬挺度 Stiffness
单位 Unit	%	%	%	mm
检测方法 Test method	ISO 1889	ISO 3344	ISO 1887	ISO 3375
指标 Standard range	± 4	≤ 0.07	1.00 ± 0.15	140 ± 20 135 ± 15 (11 μm)

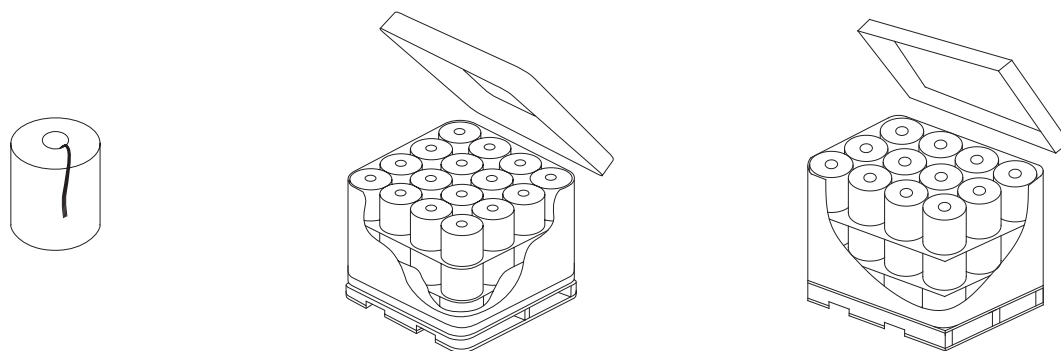
使用说明 Instructions

- ◎ 本产品应在12个月内使用最佳，使用前应保存在原包装内。
- ◎ 产品使用时注意防护，避免产品擦毛、损伤等情况。
- ◎ 使用前调理纱线的温湿度与环境温湿度平衡，使用时对环境温湿度进行适当控制。

- The product is best used within 12 months after production, and should be kept in the original package before use.
- Care should be taken when using the product to prevent it from being scratched or damaged.
- The temperature and humidity of the product should be conditioned to be close or equal to the ambient temperature and humidity before use, and the ambient temperature and humidity should be properly controlled during the use.

包装信息 Packaging

项目 Item	单位 unit	指标 Standard			
典型包装方式 Typical packaging method	/	采用托盘包装 Packed on pallets.			
典型纱团高度 Typical package height	mm (in)	260 (10.2)			
纱团内径 Package inner diameter	mm (in)	100 (3.9)			
典型纱团外径 Typical package outer diameter	mm (in)	280 (11.0)		310 (12.2)	
典型纱团重量 Typical package weight	kg (lb)	17.5 (37.5)		23 (50.7)	
层数 Number of layers	层 (layer)	3	4	3	4
每层纱团个数 Number of packages per layer	个 (pcs)	16		12	
每托纱团个数 Number of packages per pallet	个 (pcs)	48	64	36	48
每托重量 Net weight per pallet	kg (lb)	840 (1851.9)	1120 (2469.2)	828 (1825.4)	1104 (2433.9)
托盘长度 Pallet length	mm (in)	1140 (44.9)		1270 (50.0)	
托盘宽度 Pallet width	mm (in)	1140 (44.9)		960 (37.8)	
托盘高度 Pallet height	mm (in)	940 (37.0)	1200 (47.2)	940 (37.0)	1200 (47.2)



贮存 Storage

在没有特殊要求的情况下，玻璃纤维产品应贮存在干燥、阴凉的地方，防止受潮。最佳存储条件为温度 -10°C ~ 35°C，相对湿度 ≤ 80%。为确保安全，避免损坏产品，托盘的堆码高度不应超过三层。当堆放两层或三层高时，要求正确地、平稳地移动上面的托盘。

Unless otherwise specified, the fiberglass products should be stored in a dry, cool and moisture-proof area. The best temperature and humidity should be maintained at -10°C ~ 35°C and ≤ 80% respectively. To ensure safety and avoid damage to the product, the pallets should be stacked not more than three layers high. When the pallets are stacked in two or three layers, special care should be taken to correctly and smoothly move the upper pallet.